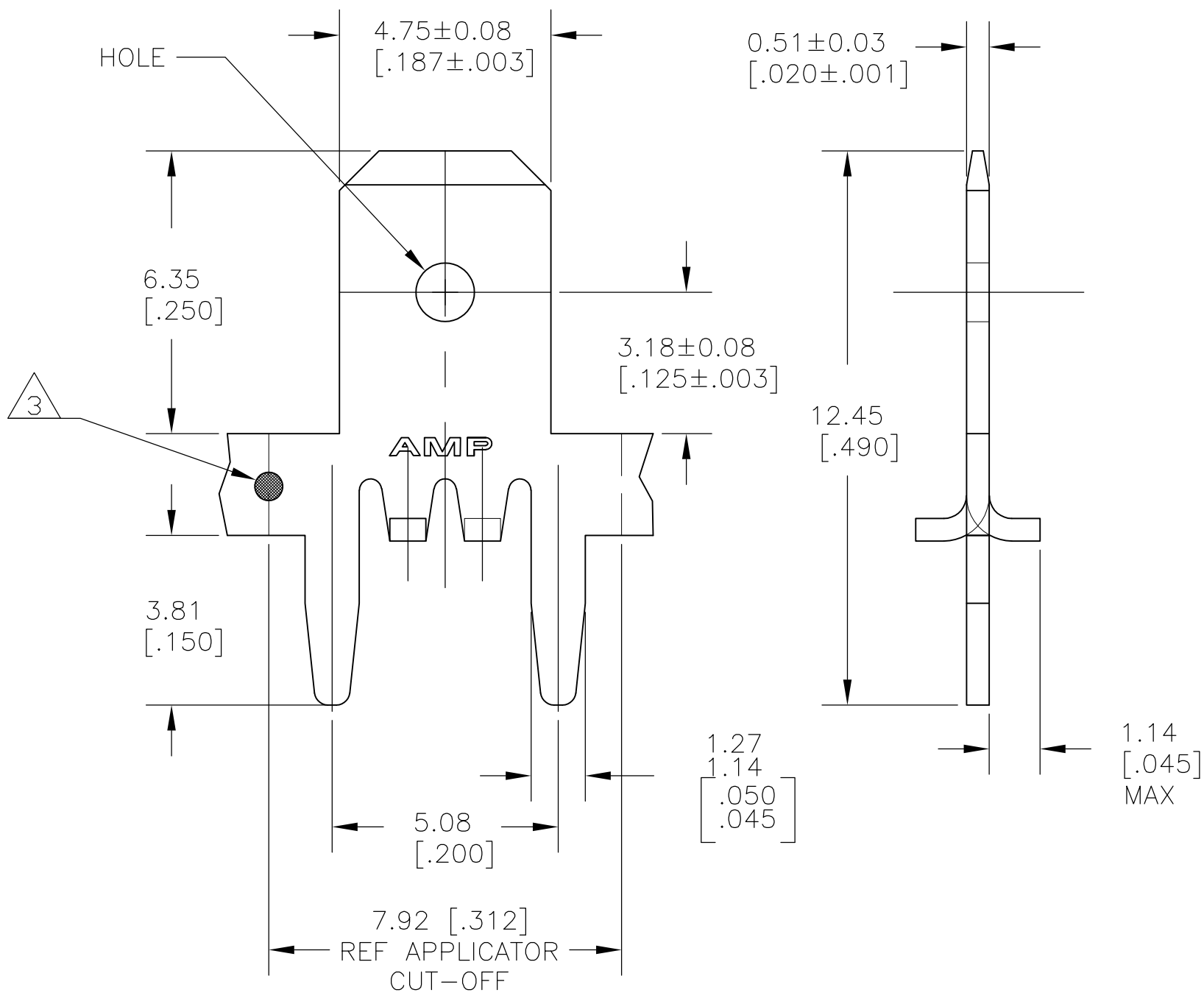
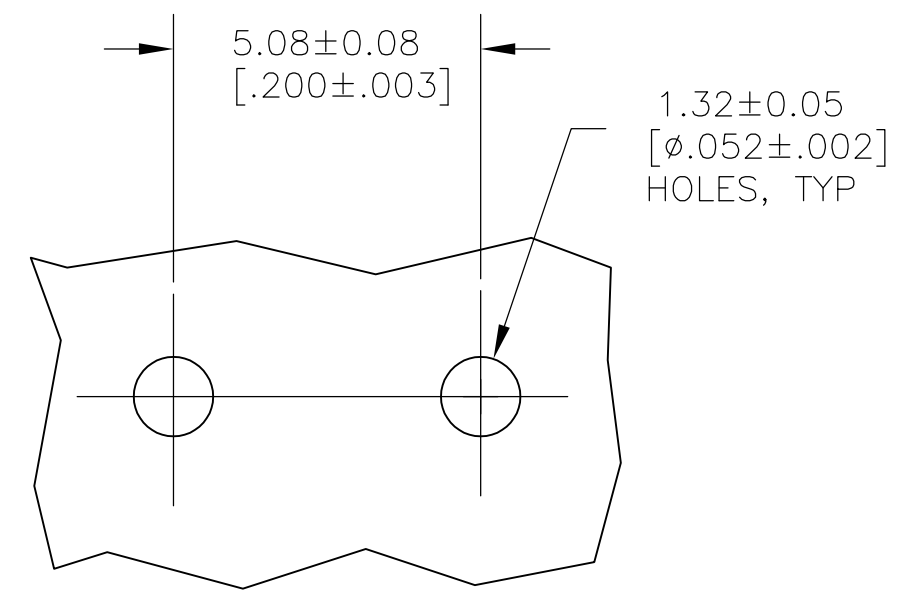


THIS DRAWING IS UNPUBLISHED. RELEASED FOR PUBLICATION  
 © COPYRIGHT BY TYCO ELECTRONICS CORPORATION. ALL RIGHTS RESERVED.

LOC	DIST	REVISIONS					
AF	50	P	LTR	DESCRIPTION	DATE	DWN	APVD
			K	REV PER ECR 07-025738	30JAN08	JR	KR



- 1 CONTINUOUS STRIP ON REELS.
- 2 TIN PLATE 0.00381 [.000150] MIN OVER 0.00254 [.000100] MIN COPPER OR TIN PLATE 0.00381 [.000150] MIN THK OVER 0.00127 [.000050] MIN THK NICKEL.
- 3 OPTIONAL ID MARK, LOCATED APPROX AS SHOWN.



P.C. BOARD HOLE PATTERN

63982-1	63823-1
LOOSE PIECE P/N	PART NO.

THIS DRAWING IS A CONTROLLED DOCUMENT.		DWN	JR RUTH	13FEB01	Tyco Electronics Corporation Harrisburg, PA 17105-3608		
DIMENSIONS: mm [INCHES]		CHK	MS FEHER	13FEB01			
TOLERANCES UNLESS OTHERWISE SPECIFIED:		APVD	N DEIBERT	13FEB01	TAB, FASTON, P.C.BOARD		
0 PLC ± - 1 PLC ± - 2 PLC ± 0.25 [.010] 3 PLC ± - 4 PLC ± - ANGLES ± -		PRODUCT SPEC	-			4.75 [.187]	
MATERIAL		APPLICATION SPEC	114-2115			SIZE	A3
082 BRASS		FINISH	-			CAGE CODE	00779
			-			DRAWING NO	G-63823
			-			RESTRICTED TO	-
			-			SCALE	8:1
			-			SHEET	1 OF 1
			-			REV	K